

# SMP-LJ-54

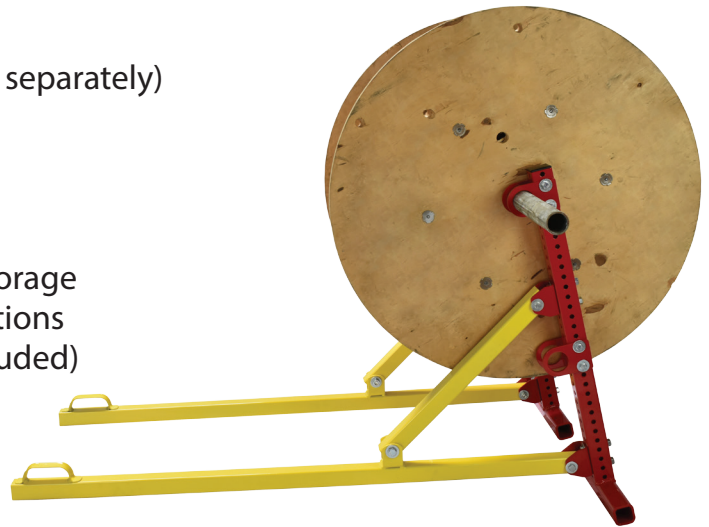
## Lever Action Cable Reel Jack



The SMP-LJ-54 cable reel jack is a quick & economical way to set-up reels of strand or cable. This versatile tool can be used on the ground, in a truck or on a warehouse floor. Constructed from heavy-wall square steel tubing, this labor saving tool will easily lift reels up to 54" in diameter. The lever action reel jack features adjustable arbor positions for reels of varying diameters, welded construction and a powder coated finish. **Arbor spindle pipe not included.**

### Features:

- Sold as a set: one (1) SMP-LJ-54 per reel (reel sold separately)
- 1,000 lbs. capacity per set
- Product weight: 70 lbs. per set
- Minimum reel width: N/A
- Maximum reel diameter: 54" (137.1 cm)
- Bolt-together construction for easy shipping & storage
- Arbor supports can be adjusted for multiple positions
- 1.5" rigid conduit arbor spindle required (not included)
- Frames constructed of 10-gauge steel
- Powder coated finish
- Outside dimensions: 60" L x 35" H x 12" W
- Made in the USA



P.O. Box 12017 Marina del Rey, CA 90292  
Phone: 310-822-6290 Fax: 310-306-9343  
Email: [info@spoolmaster.com](mailto:info@spoolmaster.com)  
Visit us online at [www.spoolmaster.com](http://www.spoolmaster.com)



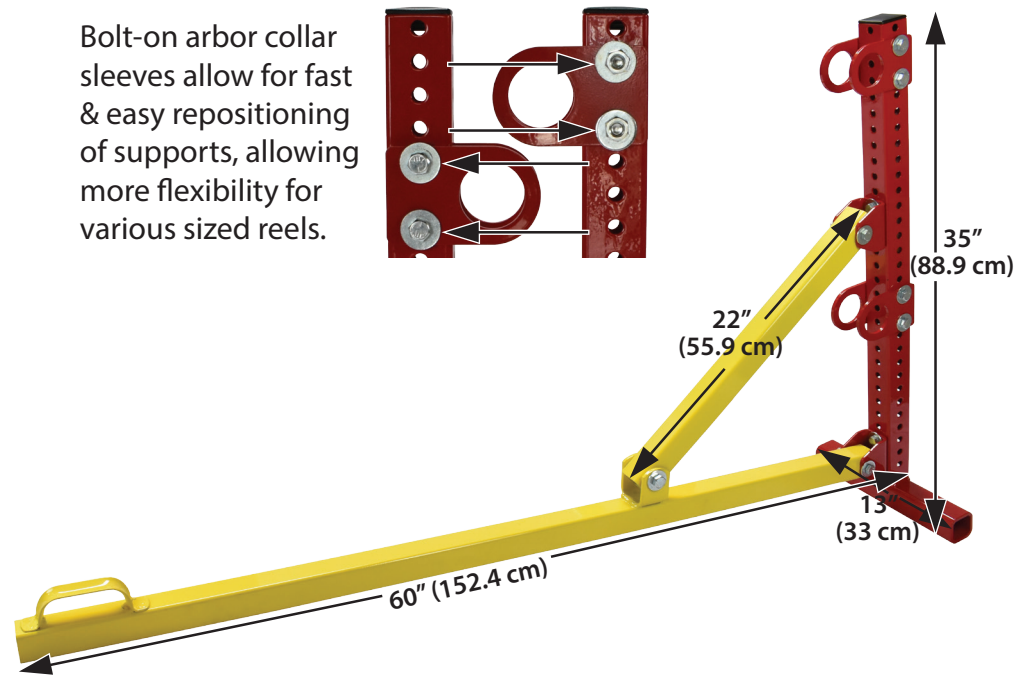
# SMP-LJ-54

## Lever Action Cable Reel Jack

### Overall Dimensions:

**Length:** 60" (152.4 cm)  
**Width:** 12" (30.5 cm)  
**Height:** 35" (88.9 cm)  
**Weight:** 70 lbs (31.75kg)

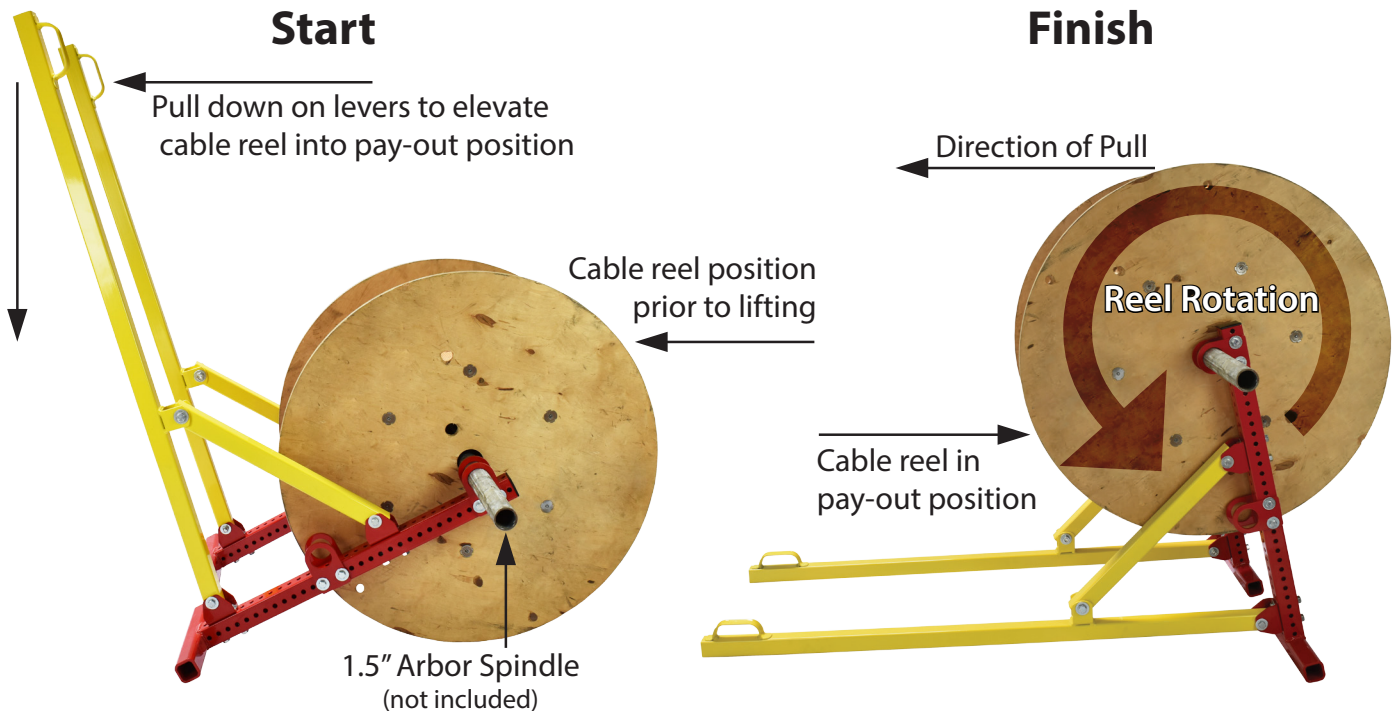
Bolt-on arbor collar sleeves allow for fast & easy repositioning of supports, allowing more flexibility for various sized reels.



## Two Step Set-Up

### Start

### Finish



P.O. Box 12017 Marina del Rey, CA 90292  
Phone: 310-822-6290 Fax: 310-306-9343  
Email: [info@spoolmaster.com](mailto:info@spoolmaster.com)  
Visit us online at [www.spoolmaster.com](http://www.spoolmaster.com)

