

WORKGARD™

ESCALATOR BARRICADE SYSTEM

TD1150 MODEL

SOMETHING NEW FOR THE ELEVATOR, ESCALATOR AND PEOPLE MOVING INDUSTRIES!












Top View of the Multi-Position Universal Clamp System



Message Signs & Panels

Stock #

Blank		10064
EG Sheeting		10077
Caution		10116A
Men Working		10166B
Keep Out		10166C
Confined Space		10166D
Arrow R/L		10166E
Construction		10166F
Out of Service		10166G

FEATURES:

- Pedestrian barricade forms a complete barrier to protect against unnecessary pedestrian accidents.
- This barrier is considered both Type I and Type II, meeting all OSHA requirements.
- Four panel barrier sets prevent pedestrian access at the top of escalators.
- Six panel barrier sets allow for ample work space in the escalator pit area at the base of escalator while effectively preventing pedestrian access.
- Modular design for multiple applications, any number of panels can be easily connected to form square, round, rectangular or linear structures.

General information is listed on the reverse side. The measurements provided are intended only as a source of information. They are given without guarantee and are not classified as a warranty. A specification will be sent to you upon request.



we got the works!!
Three D TrafficWORKS
 Innovative Traffic Safety Products

**MADE IN
USA**

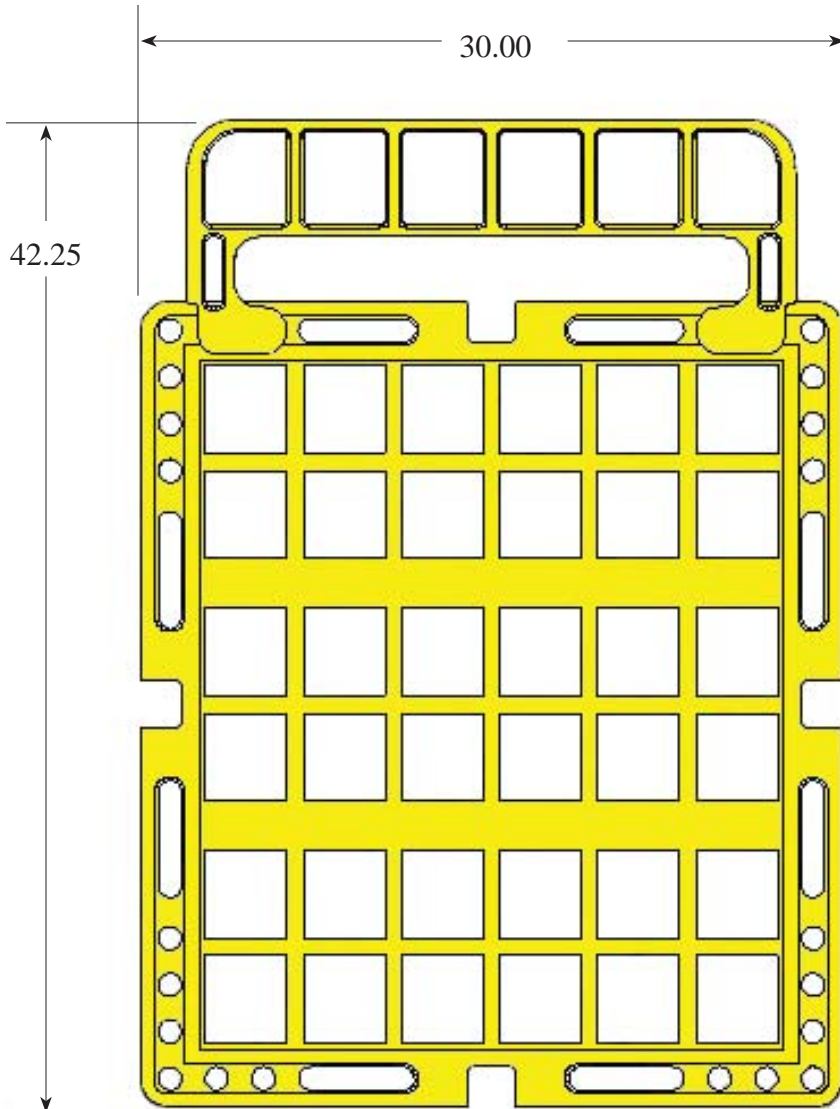


we got the works!!
Three D TrafficWORKS
 Innovative Traffic Safety Products

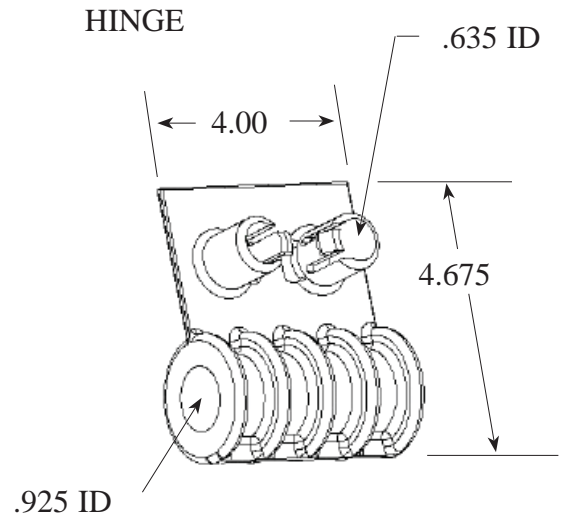
**MADE IN
USA**

**TD1150 ESCALATOR BARRICADE SYSTEM
 IMPACT ABSORBING PLASTIC PANELS
 SPECIFICATIONS**

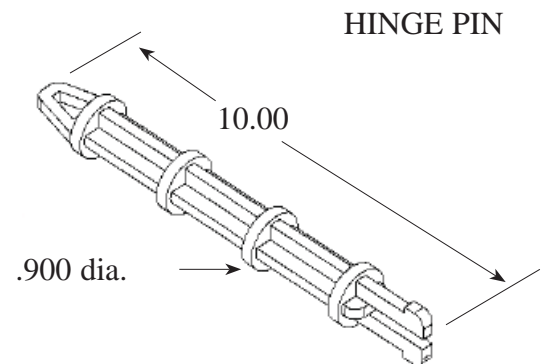
- Dimensions: Height 42.25 Inches
 Length 30.00 Inches
 Width 1.25 Inches
 Weight: 8.50 lbs (with hinges and pins)
- Panel Colors: Fluorescent Yellow
- WorkGard uses a High Impact Co-Polymer Polypropylene that is portable, lightweight, durable, reusable and highly visible.
- Panel Material: UV Stabilized Polymer Alloy with a Cold Weather Protection Package.
- Six panel barrier set for bottom of escalator contains 24 ABS half-hinges and 12 ABS pins for connecting the panels.
- Four panel barrier set for top of escalator contains 16 ABS half-hinges and 8 ABS pins for connecting the panels.



**PLASTIC PANEL WITH
EXTENSION HANDLE**



HINGE



HINGE PIN

COLORS AVAILABLE:

The TD1150 WorkGard is currently available in Safety Yellow. Three D Traffic Works can manufacture this product to your desired color. Company Logo can be added at additional cost.