

RINGTOP™

PORTABLE 4" TUBE DELINEATOR WITH DIAMOND SERIES BASE

TD5100 MODEL

THE "EASY TO GRAB" RINGTOP™ SETS THE STANDARD FOR PORTABLE DELINEATORS



NCHRP350 CERTIFIED
MUTCD COMPLIANT

FEATURES:

- Large opening for easy handling.
- Caution tape knob for wrap around application.
- Support rings around reflective bands for added tape protection.
- Meets EPA guidelines for Recycled Content.
- Made from 95% Post-Consumer Recycled high impact polyethylene utilizing polymer protection UV stabilizer.
- Available with 100% Post-Consumer Recycled Diamond Series Rubber Bases in 8 lb, 10 lb, 11 lb, 12 lb, 15 lb, and 18 lb weights. See TD8000 Diamond Base literature for benefits.



COLORS AVAILABLE:

The TD5100 Ringtop™ Delineator is available in Fluorescent Orange. Three D Traffic Works can manufacture this product to your desired color.

GENERAL INFORMATION:

General information is listed on the reverse side. The measurements provided are intended only as a source of information. They are given without guarantee and are not classified as a warranty. A specification will be sent to you upon request.



we got the works!!
Three D TrafficWORKS
Innovative Traffic Safety Products



430 N. Varney Street, Burbank, CA 91502 Tel: (877) 843-9757 Fax: (818) 841-5096

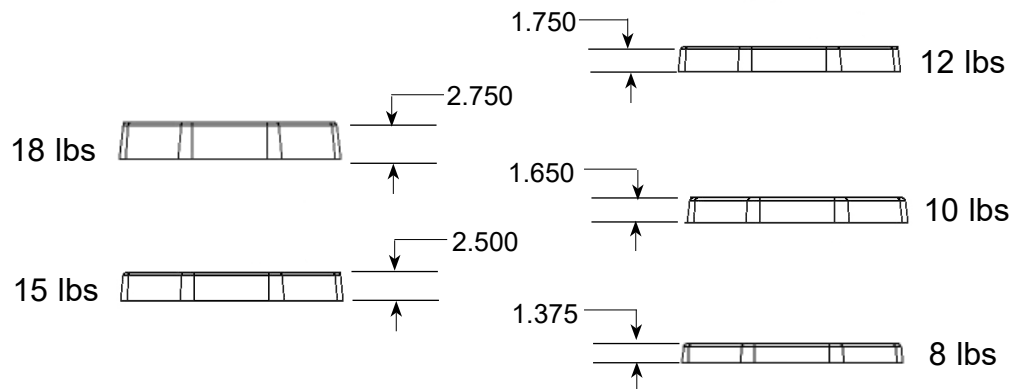
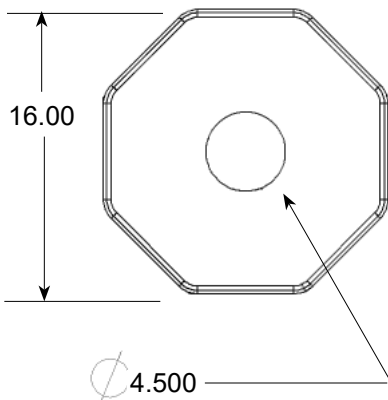
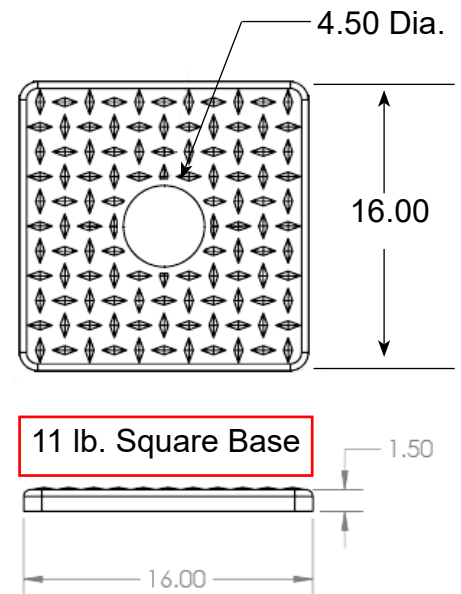
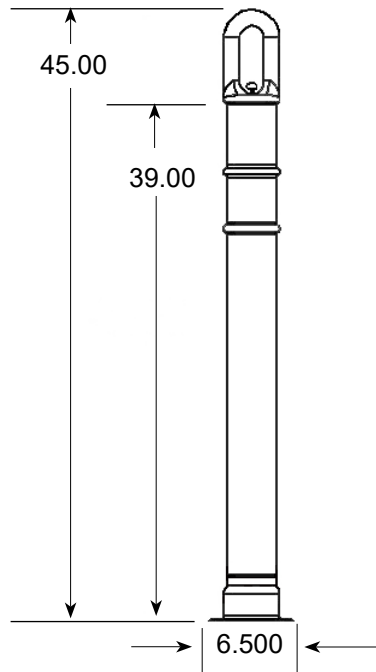
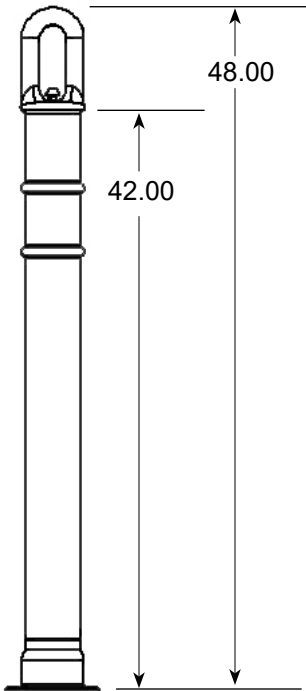
Email: sales@trafficwks.com

Web: www.trafficwks.com



TD5100 MODEL RINGTOP™ DELINEATOR SPECIFICATIONS

- **Dimensions:**
Height: 39 and 42 Inches
Width: 4 Inches.
- **TD5100 Ringtop™ Portable Delineator is a two-piece design consisting of a HDPE Tube and TD8000 Diamond Series 100% Post-Consumer Recycled Rubber Base.**
- **All Sheeting Complies With ASTM 4956 Requirements.**
- **Material: Dioxin-Free High Density Polyethylene with 95% Post-Consumer Recycled Content.**



- **TD8000 Series Diamond Base Material is 100% Post-Consumer Recycled Rubber.**